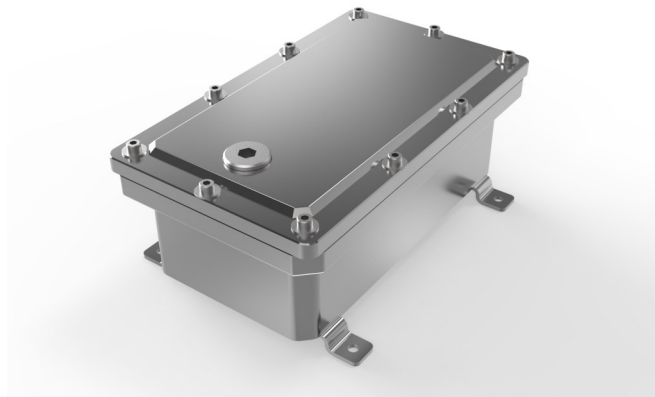




SUB SEA Billet Box —AL

NEMA 6P



SPECIFICATIONS

- Submersible up to 656 ft / 200 m
- Manufactured from Aluminum
- Seamless Construction
- Aluminum Mounting Feet
- Aluminum Hardware & Fasteners
- High thermal insulation
- Impact Resistant

ACCESSORIES

- Internal Mount/Back Plates
- Available in a variety of finishes

INDUSTRY STANDARDS

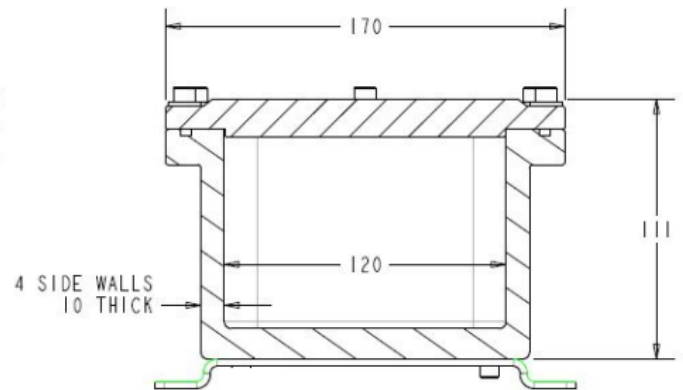
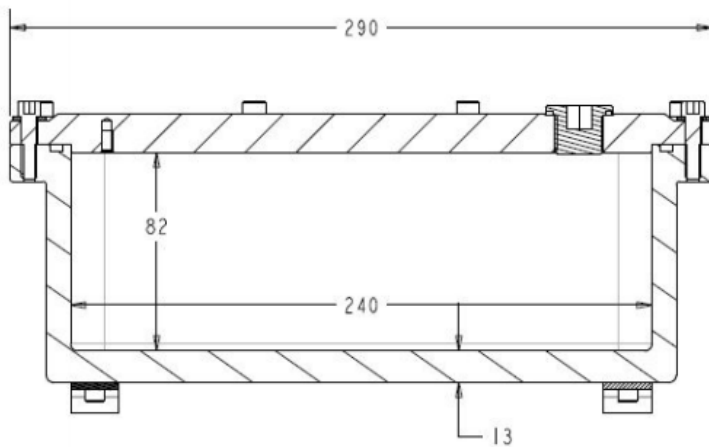
Engineered for IP68 requirements
(meets NEMA 4,4X,6P and IP66, 67, 68)

APPLICATION

The SLAYSON SUBSEA Aluminum Billet Box Series has been engineered to withstand high pressure at greater depths, and is rated NEMA 6P/IP68 for prolonged submersion. SLAYSON SUBSEA Aluminum Billet Box enclosures are used on offshore oil rigs, submersible vessels and more to protect vital electrical equipment from water ingress up to depths of 656ft/200m. The SUBSEA Aluminum Billet Box comes standard in Aluminum, making it capable of protecting vital electrical equipment in harsh environments.

MODIFICATION AND CUSTOMIZATION

SLAYSON excels at modifying and customizing all our products to meet your exact specifications. Contact our experienced Engineers about your project specific solution.



PART NUMBER	EXTERNAL HEIGHT	EXTERNAL WIDTH	EXTERNAL DEPTH	INTERNAL HEIGHT	INTERNAL WIDTH	INTERNAL DEPTH
	Height: in (mm)	Width: in (mm)	Depth: in (mm)	Height: in (mm)	Height: in (mm)	Height: in (mm)
BBB1071104	6.7 (170)	11.4 (290)	4.4 (111)	4.7 (120)	9.4 (240)	3.2 (82)